

AFI presents
THE GENERATION

SIRENA

MULTILAB CENTRIFUGES 0.6l

From Experience comes Excellence



2025



UNIQUE FRENCH MANUFACTURER

AFI Centrifuge, the only French manufacturer based in Château-Gontier in FRANCE, has been designing and manufacturing innovative centrifuges since 2009. AFI centrifuges have been designed to meet the needs and requirements of medical analysis laboratories, research laboratories, veterinary laboratories, hospitals, etc.

Offering a wide variety of rotors and accessories, the user will have at his disposal all the solutions to meet the required protocols. Available in both ventilated and refrigerated versions, AFI centrifuges are designed to be used with all types of tubes, vials and bottles available on the market.

With more than 20 years of experience in the field of biomedical engineering, electronics and electromechanics, AFI presents today a wide range of versatile and innovative centrifuges



Philippe LE GUYADER

CENTRIFUGES RANGE



LIA
Micro Centrifuges*
Mini, Micro & Labo



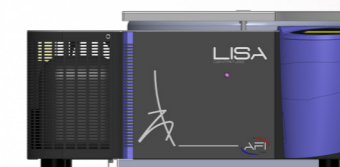
LINA
Research Centrifuge
Micro & multifonction



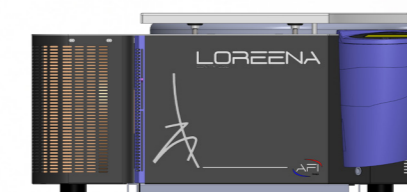
SIRENA
Centrifuge MultiLab
0.6 L



ISA
Clinical centrifuge
0.6 L



LISA
Centrifuge MultiLab
1.0 L à 2.5 L



LOREENA
Centrifuge MultiLab
1.6 L à 4 L



KATRINA
High Capacity Centrifuge
12 L

REGINA
High Capacity Centrifuge
16 L

*OEM products

LIA

Rotor 24 micro tubes
 15 000 Rpm/ 21 380 x g
 Ventilated & Refrigerated
 8 rotors

LINA

Rotor 48 micro tubes
 Rotor 6x 50mL
 Rotor 6 Micro plates
 23 000 Rpm/ 39 625x g
 Ventilated & Refrigerated
 11 rotors

SIRENA

24-36 tubes 5/7 mL
 6x 100mL
 18 000 Rpm/ 31514 x g
 Refrigerated
 Interactive display
 Touch screen, 99 programs,
 17 rotors

ISA

40 tubes 5/7 mL
 6700 Rpm/ 6324 xg
 Ventilated, Refrigerated & **Reversible**
 Touch Screen, 99 programs,
 11 rotors

High Capacity Blood bank / Industry

KATRINA

12 Liters
 4900 Rpm/ 7301 x g
 Refrigerated Floor
 Interactive communication, Touch screen,
 Integral, 6 Rotors

LOREENA

108- 200 tubes 5/7 mL / 12x 50 mL
 16000 Rpm/ 28 335x g
 Ventilated & Refrigerated
 & Floor, **Reversible**
 Interactive communication,
 Click Spin, Touch Screen,
 15 Rotors

LISA

60-92 tubes 5-7 mL/ 8x100mL
 18 000 Rpm/ 31514 x g
 Ventilated, Refrigerated & **Reversible**
 Interactive Communication, Click Spin, Touch
 Screen, 18 Rotors



SIRENA

Multilab Centrifuge PERFORMANCE-LINE

LOOK FUTURIST

Only SIRENA, with its offbeat look, its extraordinary display contrast and its touch screen, will be able to transport you to the future. To infinity and beyond!

SIRENA, WE KEEP IN EYE

Only SIRENA, by its blue OK, will confirm that your sample is under control: cold, speed, are respected. Only SIRENA by its green or red circles will tell you whether the cycle is running smoothly or not. You will be notified at more than 7 meters. Only SIRENA with its intuitive flashing symbols will detect the failure and show you the solution.

PERFORMANCE

Only SIRENA with its wide range of rotors (more than 13 angular rotors) will be your ally for all your research: From microbiology to molecular research and biochemistry, it will provide you with the most efficient solution.



Centrifuge Description		
AFI-C060R-E	SIRENA Centrifuge Refrigerated	
Specifications	Swing-out rotor	Angular Rotor
Max Speed	4700rpm	18000rpm
Max RCF	3725g	31594g
Max Loading	4x150ml	8x100ml
T° Range	-10°C/+40°C	
Dim. (HxWxD)	29x44x72cm	
Pack dim.	47x52x81cm	
Weight	70kg	

SIRENA Centrifuge fully reviewed



NEW CLICK SPIN

NEW Click Spin with visual lock indicator for high security



TOUCH SCREEN

Touch screen fully redesigned & Improved touch sensitivity



NEW GESTURE CONTROL

No need to touch the centrifuge to start your cycle. A simple gesture and you can start, stop and open your lid.



Its major assets

6 reasons

to choose it

The centrifuge can detect when it is no longer used and has remained switched on after you have left your laboratory. It will then automatically turn itself off (energy savings)

TWILIGHT OPTION



UNIQUE ELECTRONIC FUNCTIONS

Centrifuge's electronic functions integrated into a front central unit. Plug & play system guaranteeing a fast and efficient intervention



With its unique illuminated displays, visible at 7 meters, SIRENA will monitor your samples. Its blue circle and OK, its green circle or blinkind red circle confirm whether or not the cycle is running smoothly. Launch your protocols with peace of mind.

INTERACTIVE ILLUMINATED DISPLAY

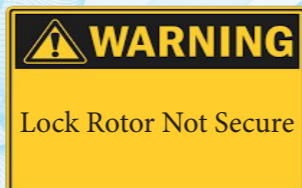


NEW CLICK SPIN with visual lock indicator



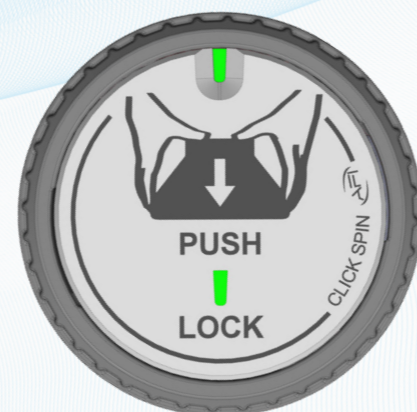
Check:

- The red light indicates that the rotor is not securely locked



Ready:

- The green light indicates that the rotor is successfully locked => Safe centrifugation



- Click Spin available on Multilab centrifuges (SIRENA, LISA, LOREENA)

AFI Furniture



	SMALL	MEDIUM	LARGE
Ref.	AFI-MT550	AFI-MT750	AFI-MT850
Dimensions wxhxd (mm)	550x560x700	750x560x700	850x560x700
	2 tiroirs, 4 roulettes avec frein / 2 drawers, 4 wheels with brake		
LINA V	✓		
LINA R	✓		
ISA V	✓		
ISA R	✓		
SIRENA	✓		
LISA V	✓		
LISA R		✓	
LOREENA V		✓	
LOREENA R			✓

We offer you a range of AFI furniture dedicated to your centrifuges.

These furniture have been designed to last. They are reinforced with a metal frame to ensure robustness.

They are equipped with 4 castors with brakes for more mobility and flexibility in your laboratory.

The large drawers allow you to place all your accessories.

These furniture are for you !

Swinging bucket rotors

Accessories selection guide



SIRENA ACCESSORIES	RX150			RHDW-150
SIRENA ACCESSORIES	AFI-B150	AFI-SB150	AFI-DB50	AFI-BHDW-150
Max Capacity (ml)	4x150	4x150	8x50	8 Microplates
Max charge (gr)	260	260	2x67	725
Max Speed (rpm)	4 700	4 700	4 700	4 700
Max RCF (g)	3 704	3 729	3 754	2 964
Cavity dim (ØxD) or (WxLxD)	Ø51x97	52x52x97	Ø30x70	
Lid	✓	✓		✓
LISA Compatible*	✓	✓	✓	✓

* Compatible with the maximum speed written above the rotor.

Tubes	ml	Ø x L				
	1,1-1,4	8x82	32	36	24	-
	1,5-2	11x38	48	72	24	-
	1,5-2	12,5x40	32	36	24	-
	1,3	10x45	32	36	24	-
	1,6-7	13x75-100	24	36	8	-
	2,6-4,9	13x81-106	24	36	8	-
	1,2-5	11x82-108	24	36	8	-
	4-8,5	15x91-108	16	24	8	-
	7-10	16x100	16	24	8	-
	10	21x90	12	16	8	-
	15	17x120	8	8	8	-
	30	25x110	4	4	8	-
	30	25x110	4	4	8	-
	30	25x95	4	4	8	-
	50	29x115	4	4	8	-
	50	29x115	4	4	8	-
	50 OAK	29x107	4	4	8	-
	80 OAK 85 OAK	38x106	4	4	8	-
	Micro Plates		-	-	-	8
	Deep Well		-	-	-	2

* Unsealed

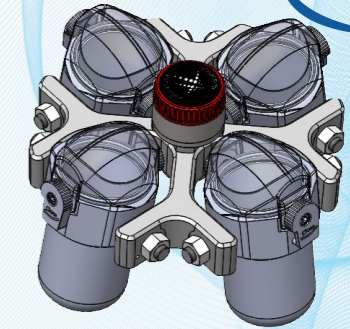
AFI RX150

Adapters selection guide



AFI-B150 : ROUND BUCKETS

Model	R
Max Capacity	4 x 150ml
Angle	90°
RPM Max	4 700
ACR Max	3 704



Accessories



Ref.	AFI-RX150	AFI-B150*	AFI-L150*	AFI-SB150*	AFI-LSB150*	AFI-DB50*
	* Set of 4					
Tubes						
Capacity (ml)	1,1-1,4	1,5-2	1,5-2	1,3	1,6-7	2,6-4,9
Ø x L (mm)	8x82	11x38	12,5x40	10x45	13x75 100	13x81 106
Tubes per adapter / rotor	8 32	12 48	8 32	9 36	7 28	8 32
Adapter						
Hole Ø x L (mm)	9x50	11,25x40	13x30	11x40	13,5x58	12,5x55
Radius	150	145	125	143	148	140
Max charge (gr)	260					
Ref.	AFI-06T1	AFI-06T2	AFI-06T2CRYO	AFI-06T1.3	AFI-06T5*	AFI-06T5ST*
					AFI-06T10	AFI-06T10C

* For tube length > 80mm and ACR > 3000g, we preconise using adapter AFI-06T6 or AFI-06T6ST

Tubes										
Capacity (ml)	15	30	30	30	50	50	50	50	80 / 85	100
Ø x L (mm)	17x120	25x110	25x110	25x95	29x115	29x115	29x115	29x107	38x106	44x100
Tubes per adapter / rotor	2 8	1 4	1 4	1 4	1 4	1 4	1 4	1 4	1 4	1 4
Adapter										
Hole Ø x L (mm)	18x80	26x60	26x60	26,5x70	30x70	30x70	30x70	30x70	40x78	46x90
Radius	150	148	147	148	149	150	150	149	149	148
Max charge (gr)	260									
Ref.	AFI-06T15C	AFI-06T30S	AFI-06T30C	AFI-06T30AOR	AFI-06T50S	AFI-06T50CS*	AFI-06T50C	AFI-06T50AOR	AFI-06T80AOR	AFI-06T100

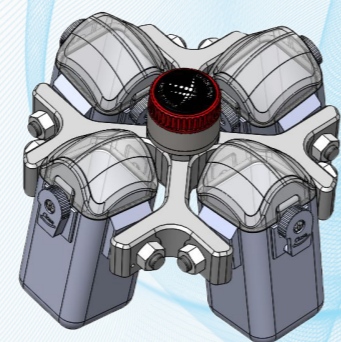
* For protocols < 3500g

AFI RX150

Adapters selection guide

AFI-SB150 : SQUARE BUCKETS

Model	R
Max Capacity	4 x 150ml
Angle	90°
RPM Max	4 700
ACR Max	3 729



Accessories

Ref.	AFI-RX150	AFI-B150*	AFI-L150*	AFI-SB150*	AFI-LSB150*	AFI-DB50*
------	-----------	-----------	-----------	------------	-------------	-----------

* Set of 4

Tubes

Capacity (ml)	1,1-1,4	1,5-2	1,5-2	1,3	1,6-7	2,6-4,9	1,2-5	4-8,5	7-10	10	
∅ x L (mm)	8x82	11x38	12,5x40	10x45	13x75 100	13x81 106	11x82 108	15x91 108	16x100	21x90	
Tubes per adapter / rotor	9 36	18 72	9 36	9 36	9 36		9 36	6 24	4 16		
Adapter											
Hole ∅ x L (mm)	9x50	11,25x40	13x30	11x40	13,5x58		12,5x55	17x58		22x80	
Radius	151	145	90 145	125	141	148		146	148		150
Max charge (gr)	260										
Ref.	AFI-06T1-SB	AFI-06T2-SB	AFI-06T2CRYO-SB	AFI-06T1.3-SB	AFI-06T5-SB*		AFI-06T5ST-SB	AFI-06T10-SB		AFI-06T10C-SB	

* For tube length > 80mm and ACR > 3000g, we preconise using adapter AFI-06T6 or AFI-06T6ST

Tubes

Capacity (ml)	15	30	30	30	50	50	50	50	80 / 85	100	
∅ x L (mm)	17x120	25x110	25x110	25x95	29x115	29x115	29x115	29x107	38x106	44x100	
Tubes per adapter / rotor	2 8	1 4	1 4	1 4	1 4	1 4	1 4	1 4	1 4	1 4	
Adapter											
Hole ∅ x L (mm)	18x80	26x60	26x60	26,5x70	30x70	30x70	30x70	30x70	40x78	46x90	
Radius	151	150	148	147	178	149	150	149	149	149	
Max charge (gr)	260										
Ref.	AFI-06T15C-SB	AFI-06T30S-SB	AFI-06T30C-SB	AFI-06T30AOR-SB	AFI-06T50S-SB	AFI-06T50CS-SB*	AFI-06T50C-SB	AFI-06T50AOR-SB	AFI-06T80AOR-SB	AFI-06T100-SB	

* For protocols < 3500g

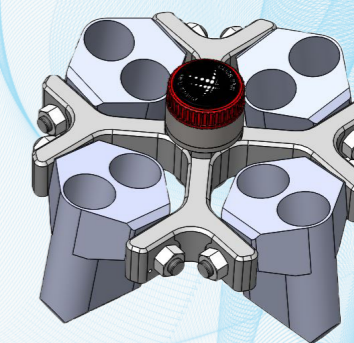
AFI RX150 + DB50

Adapters selection guide



AFI-DB50 : CONICAL BUCKETS

Model	R
Max Capacity	4 x 150ml
Angle	90°
RPM Max	4 700
ACR Max	3 754



Accessories

Ref.	AFI-RXN150	AFI-B150*	AFI-L150*	AFI-SB150*	AFI-LSB150*	AFI-DB50*
------	------------	-----------	-----------	------------	-------------	-----------

* Set of 4

Tubes

Capacity (ml)	1,1-1,4	1,5-2	1,5-2	1,3	1,6-5	2,6-4	2,7-3	5-7	4,9	4,5-5	10	
∅ x L (mm)	8x82	11x38	12,5x40	10x45	13x75	13x81 91	11x82	13x100	13x106	11x108	21x90	
Tubes per adapter / rotor	3 24	3 24	3 24	3 24	1 8		3 24	1 8	1 8		1 8	
Adapter												
Hole ∅ x L (mm)	9x50	11,25x40	13x30	11x40	13,5x58		12,5x55	13,5x78	13,5x78	12,5x80	22x80	
Radius	152	131	106	96	124		121	124	124	141	150	
Max Charge (gr)	2x67											
Ref.	AFI-50R1-2	AFI-50R2-2	AFI-50R2CRYO-2	AFI-50R1.3-2	AFI-50R5-2		AFI-50R5ST-2	AFI-50R7-2	AFI-50R7-2	AFI-50R6ST-2	AFI-50R10C-2	

Tubes

Capacity (ml)	4-8,5	7-10	10	15	30	30	30	50	50	50	
∅ x L (mm)	15x91 108	16x100	16x85	17x120	25x110	25x110	25x95	29x115	29x115	29x107	
Tubes per adapter / rotor	1 8		1 8	1 8	1 8	1 8	1 8	1 8	1 8	1 8	
Adapter											
Hole ∅ x L (mm)	17x78		17x70	18x80	26x60	26x60	26,5x70	30x70	30x70	30x70	
Radius	152		134	134	134	140	143	134	152	142	
Max Charge (gr)	2x67										
Ref.	AFI-50R10-2	AFI-50R10-OAK-2	AFI-50R15C-2	AFI-50R30S-2	AFI-50R30C-2	AFI-50R30-OAK-2	AFI-50R50S-2	AFI-50R50S-2	AFI-50R50-OAK-2	AFI-50R50-OAK-2	

MICROPLATES

Accessories selection guide

AFI-BHDW-150 : 8 MICROPLATES SEALED

Model	R
Max Capacity	4 x 150ml
Angle	90°
RPM Max	4 700
ACR Max	2 964

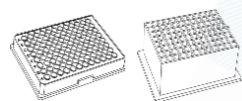
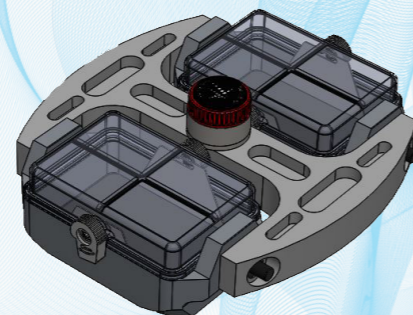
Microplate

Capacity (ml)	-	-	-	-
Max Height (mm)	-	-	55	55
Tubes per adapter / rotor	-	-	4 8	1 2

Accessories

Hole Ø x L(mm)	-	-	-	-
Radius	120	-	120	-
Max Charge (gr)	-	-	725	-
Ref.	AFI-RBHDW-150	AFI-RHDW-150	AFI-BHDW-150*	AFI-LH-150*

* Set of 2



CYTOLOGY

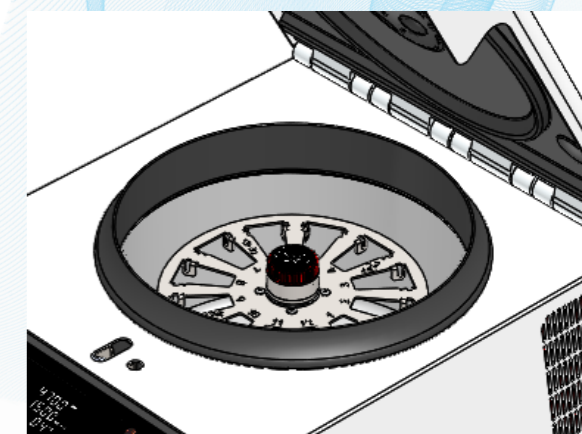
Accessories selection guide

Model	V
Max Capacity	12 Funnels
Angle	90°
RPM Max	2 000
ACR Max	438

Accessories



Ref.	AFI-RCYTO
-------------	------------------



EZ CYTOFUNNEL

PACKS

	DOUBLE	DOUBLE	SINGLE	SINGLE	SINGLE
Capacity (mL)	0,5	0,5	0,5	0,5	0,5
Surface (mm ²)	28	28	28	28	28
Ø (mm)	6	6	6	6	6
Description					
Radius	98				
Set of	200	40	200	40	40
Ref.	AFI-EZ-DFWC-200	AFI-EZ-DFWC-40	AFI-EZ-SFWC-200	AFI-EZ-SFWC-40	AFI-EZ-SFBC-40

INDIVIDUAL SOLUTIONS

	CLIP	CLIP
Description		
Radius	98	
Set of	6	50
Ref.	AFI-CLIP-M	AFI-CLIP-P



DOUBLE	DOUBLE	SINGLE	SINGLE	SINGLE	
0,5	0,5	0,5	0,5	0,4	
28	28	28	28	28	
6	6	6	6	6	
500	25	500	50	500	
Ref.	AFI-DFW-500	AFI-DFW-25	AFI-SFW-500	AFI-SFW50	AFI-SFB-50

FIXED ANGULAR ROTORS

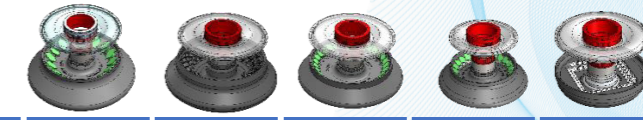
Accessories selection guide



SIRENA ACCESSORIES	AFI-RA8-50CSL	AFI-RA6-100	AFI-RA8-100L	AFI-RA8-50	AFI-RA8-50L	AFI-RA6-50	AFI-RA6-50L	AFI-FA8-50	AFI-RA30-15
Max Capacity (ml)	8x50	6x100	8x100	8x50	8x50	6x50	6x50	8x50	30x15
Max Speed (rpm)	7 500	7 000	7 000	7 500	7 500	9 500	12 000	5 600	4 700
Max RCF (g)	6 415	5 807	5 807	6 415	6 415	10 292	16 421	4 944	3 482
Lid	✓		✓	✓	✓		✓	✓	✓
LISA Compatible*	✓	✓	✓	✓	✓			✓	✓
Acc Dec (s)						40 45			

* Compatible with the maximum speed written above the rotor.

Tubes	ml	∅ x L	AFI-RA8-50CSL	AFI-RA6-100	AFI-RA8-100L	AFI-RA8-50	AFI-RA8-50L	AFI-RA6-50	AFI-RA6-50L	AFI-FA8-50	AFI-RA30-15
	1,1-1,4	8x82	24	12	16	24	24	18	18	24	-
	1,5-2	11x38	24	24	32	24	24	18	18	24	-
	1,5-2	12,5x40	24	24	32	24	24	18	18	24	-
	1,3	10x45	24	30	40	24	24	18	18	24	-
	1,6-5	13x75	8	12	16	8	8	6	6	8	30
	5-7	13x100	8	12	16	8	8	6	6	8	-
	2,6-4,9	13x81-106	8	12	16	8	8	6	6	8	-
	1,2-5	11x82-108	8	12	40	8	8	6	6	8	-
	4-8,5	15x91-108	8	12	16	8	8	6	6	8	-
	7-10	16x100	8	12	16	8	8	6	6	8	30
	10 OAK	16x85	8	6	8	8	8	6	6	8	-
	10	21x90	8	6	8	8	8	6	6	8	-
	15	17x120	8	6	8	8	8	6	6	8	30
	30	25x110	8	6	8	8	8	6	6	8	-
	30	25x110	8	6	8	8	8	6	6	8	-
	30 OAK	25x95	8	6	8	8	8	6	6	8	-
	50	29x115	8	6	8	8	8	6	6	8	-
	50 OAK	29x107	8	6	8	8	8	6	6	8	-
	80 OAK 85 OAK	38x106	-	6	8	-	-	-	-	-	-



SIRENA ACCESSORIES	AFI-RA16-5	AFI-RA48-2	AFI-RA30-2	AFI-RA24-2	AFI-RAPCR8-8
Max Capacity (ml)	16x5	48x2	30x2	24x2	8x8
Max Speed (rpm)	14 200	12 700	14 000	18 000	15 000
Max RCF (g)	24 347	18 213	21 694	31 514	16 099
Lid	✓	✓	✓	✓	✓
LISA Compatible*	✓	✓	✓	✓	✓
Acc Dec (s)		52 68		33 38	

* Compatible with the maximum speed written above the rotor.

Micro Tubes	ml	∅ x L	AFI-RA16-5	AFI-RA48-2	AFI-RA30-2	AFI-RA24-2	AFI-RAPCR8-8
	0,2-0,25	6x18	-	48	30	24	-
	0,5	8x30	-	48	30	24	-
	1,5-2	11x38	-	48	30	24	-
	5	16,5x60	16	-	-	-	-
	2 SPIN COLUMN	11x38	16	-	-	24	-
	8x8	6x22	-	-	-	-	8

FIXED ANGULAR ROTORS

Accessories selection guide

Angular rotor 6x100ml - 28°

Model	R
Max Capacity	6x 100mL
Angle	28°
RPM Max	7 000
ACR Max	5 807

Accessories



Ref.	AFI-RA6-100
------	-------------

Tubes	1,1-1,4	1,5-2	1,5-2	1,3	1,6-5	2,6-4	2,7-3	5-7	4,9	4,5-5
Capacity (ml)	1,1-1,4	1,5-2	1,5-2	1,3	1,6-5	2,6-4	2,7-3	5-7	4,9	4,5-5
∅ x L (mm)	8x82	11x38	12,5x40	10x45	13x75	13x81 91	11x82	13x100	13x106	11x108
Tubes per adapter / rotor	2 12	4 24	4 24	5 30	2 12	5 30	2 12	2 12	1 6	1 6
Adapter										
Hole ∅ x L (mm)	9x50	11,25x40	13x30	11x40	13,5x58	12,5x55	13,5x78	12,5x80	106	108
Radius	87 103	83 104	83 104	90 110	87 103	89 111	87 103	106	108	108
Ref.	AFI-100R1-2	AFI-100R2-2	AFI-100R2CRYO-	AFI-100R1.3-2	AFI-100R5-2	AFI-100R5ST-2	AFI-100R7-2	AFI-100R6ST-2	AFI-100R6ST-2	AFI-100R6ST-2

Tubes	10	4-5	7-10	5-8	10	15	30	30	30	50
Capacity (ml)	10	4-5	7-10	5-8	10	15	30	30	30	50
∅ x L (mm)	21x90	15x91	16x100	15x108	16x85	17x120	25x110	25x110	25x95	29x115
Tubes per adapter / rotor	1 6	2 12	1 6	1 6	1 6	1 6	1 6	1 6	1 6	1 6
Adapter										
Hole ∅ x L (mm)	22x80	17x78	17x80	17x70	18x80	26x60	26x60	26,5x70	30x70	106
Radius	95	87 103	107	87 103	95	96	96	94	101	106
Ref.	AFI-100R10C-2	AFI-100R10-2	AFI-100R10ST-2	AFI-100R10-OAK-2	AFI-100R15C-2	AFI-100R30S-2	AFI-100R30C-2	AFI-100R30-OAK-	AFI-100R50C-2	AFI-100R50C-2

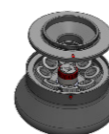
Tubes	50	80	85	94
Capacity (ml)	50	80	85	94
∅ x L (mm)	29x107	38x106	38x106	38x102
Tubes per adapter / rotor	1 6	1 6	1 6	1 6
Adapter				
Hole ∅ x L (mm)	30x70	39x68	39x86	106
Radius	98	103	106	106
Ref.	AFI-100R50-OAK-	-	-	-



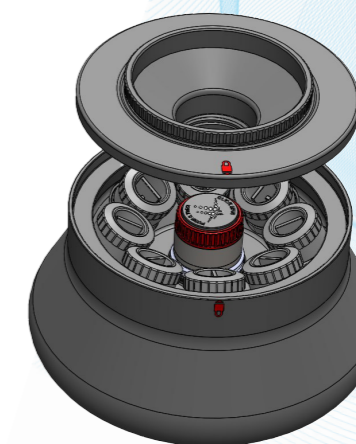
Angular rotor 8x100ml - 28° - Sealed

Model	R
Max Capacity	8x 100mL
Angle	28°
RPM Max	7 000
ACR Max	5 807

Accessories



Ref.	AFI-RA8-100L
------	--------------



Visual LOCK for PERFECT lid closure



Tubes	1,1-1,4	1,5-2	1,5-2	1,3	1,6-5	2,6-4	2,7-3	5-7	4,9	4,5-5
Capacity (ml)	1,1-1,4	1,5-2	1,5-2	1,3	1,6-5	2,6-4	2,7-3	5-7	4,9	4,5-5
∅ x L (mm)	8x82	11x38	12,5x40	10x45	13x75	13x81 91	11x82	13x100	13x106	11x108
Tubes per adapter / rotor	2 16	4 32	4 32	5 40	2 16	5 40	2 16	2 16	1 8	1 8
Adapter										
Hole ∅ x L (mm)	9x50	11,25x40	13x30	11x40	13,5x58	12,5x55	13,5x78	12,5x80	115	113
Radius	95 111	93 114	93 114	98 113	95 111	98 113	95 111	113	115	113
Ref.	AFI-100R1-2	AFI-100R2-2	AFI-100R2CRYO-2	AFI-100R1.3-2	AFI-100R5-2	AFI-100R5ST-2	AFI-100R7-2	AFI-100R6ST-2	AFI-100R6ST-2	AFI-100R6ST-2

Tubes	10	4-5	7-10	5-8	10	15	30	30	30	50
Capacity (ml)	10	4-5	7-10	5-8	10	15	30	30	30	50
∅ x L (mm)	21x90	15x91	16x100	15x108	16x85	17x120	25x110	25x110	25x95	29x115
Tubes per adapter / rotor	1 8	2 16	1 8	1 8	1 8	1 8	1 8	1 8	1 8	1 8
Adapter										
Hole ∅ x L (mm)	22x80	17x78	17x80	17x70	18x80	26x60	26x60	26,5x70	30x70	115
Radius	118	105 111	111	105 111	103	104	104	102	109	115
Ref.	AFI-100R10C-2	AFI-100R10-2	AFI-100R10ST-2	AFI-100R10-OAK-	AFI-100R15C-2	AFI-100R30S-2	AFI-100R30C-2	AFI-100R30-OAK-	AFI-100R50C-2	AFI-100R50C-2

Tubes	50	80	85	94
Capacity (ml)	50	80	85	94
∅ x L (mm)	29x107	38x106	38x106	38x102
Tubes per adapter / rotor	1 8	1 8	1 6	1 6
Adapter				
Hole ∅ x L (mm)	30x70	39x68	39x86	115
Radius	109	115	106	115
Ref.	AFI-100R50-OAK-	-	-	-

FIXED ANGULAR ROTORS

Accessories selection guide

Angular rotor 8x50ml - 25°

Model	R
Max Capacity	8x 50mL
Angle	25°
RPM Max	7 500
ACR Max	6 415



Accessories



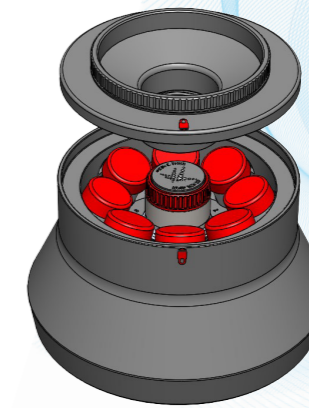
Ref.	AFI-RA8-50
------	------------

Tubes	1,1-1,4	1,5-2	1,5-2	1,3	1,6-5	2,6-4	2,7-3	5-7	4,9	4,5-5	10
Capacity (ml)	1,1-1,4	1,5-2	1,5-2	1,3	1,6-5	2,6-4	2,7-3	5-7	4,9	4,5-5	10
∅ x L (mm)	8x82	11x38	12,5x40	10x45	13x75	13x81 91	11x82	13x100	13x106	11x108	21x90
Tubes per adapter / rotor	3 24	3 24	3 24	3 24	1 8		3 24	1 8	1 8	1 8	1 8
Adapter											
Hole ∅ x L (mm)	9x50	11,25x40	13x30	11x40	13,5x58		12,5x55	13,5x78	13,5x78	12,5x80	22x80
Radius	102	83 97	74 88	71 85	69 82		87	80 90	95	95	95
Ref.	AFI-50R1-2	AFI-50R2-2	AFI-50R2CRYO-2	AFI-50R1.3-2	AFI-50R5-2		AFI-50R5ST-2	AFI-50R7-2	AFI-50R7-2	AFI-50R6ST-2	AFI-50R10C-2

Tubes	4-8,5	7-10	10	15	30	30	30	50	50
Capacity (ml)	4-8,5	7-10	10	15	30	30	30	50	50
∅ x L (mm)	15x91 108	16x100	16x85	17x120	25x110	25x110	25x95	29x115	29x107
Tubes per adapter / rotor	1 8		1 8	1 8	1 8	1 8	1 8	1 8	1 8
Adapter									
Hole ∅ x L (mm)	17x78		17x70	18x80	26x60	26x60	26,5x70	30x70	30x70
Radius	102		95	85	97	99	95	98	102
Ref.	AFI-50R10-2		AFI-50R10-OAK-2	AFI-50R15C-2	AFI-50R30S-2	AFI-50R30C-2	AFI-50R30-OAK-2	-	AFI-50R50-OAK-

Angular rotor 8x50ml - 25° - Sealed

Model	R
Max Capacity	8x 50mL
Angle	25°
RPM Max	7 500
ACR Max	6 415



Visual LOCK for PERFECT lid closure



Accessories



Ref.	AFI-RA8-50L
------	-------------

Tubes	1,1-1,4	1,5-2	1,5-2	1,3	1,6-5	2,6-4	2,7-3	5-7	4,9	4,5-5	10
Capacity (ml)	1,1-1,4	1,5-2	1,5-2	1,3	1,6-5	2,6-4	2,7-3	5-7	4,9	4,5-5	10
∅ x L (mm)	8x82	11x38	12,5x40	10x45	13x75	13x81 91	11x82	13x100	13x106	11x108	21x90
Tubes per adapter / rotor	3 24	3 24	3 24	3 24	1 8		3 24	1 8	1 8	1 8	1 8
Adapter											
Hole ∅ x L (mm)	9x50	11,25x40	13x30	11x40	13,5x58		12,5x55	13,5x78	13,5x78	12,5x80	22x80
Radius	102	83 97	74 88	71 85	69 82		87	80 90	95	95	95
Ref.	AFI-50R1-2	AFI-50R2-2	AFI-50R2CRYO-2	AFI-50R1.3-2	AFI-50R5-2		AFI-50R5ST-2	AFI-50R7-2	AFI-50R7-2	AFI-50R6ST-2	AFI-50R10C-2

Tubes	4-8,5	7-10	10	15	30	30	30	50	50
Capacity (ml)	4-8,5	7-10	10	15	30	30	30	50	50
∅ x L (mm)	15x91 108	16x100	16x85	17x120	25x110	25x110	25x95	29x115	29x107
Tubes per adapter / rotor	1 8		1 8	1 8	1 8	1 8	1 8	1 8	1 8
Adapter									
Hole ∅ x L (mm)	17x78		17x70	18x80	26x60	26x60	26,5x70	30x70	30x70
Radius	102		95	85	97	99	95	98	102
Ref.	AFI-50R10-2		AFI-50R10-OAK-2	AFI-50R15C-2	AFI-50R30S-2	AFI-50R30C-2	AFI-50R30-OAK-	-	AFI-50R50-OAK-

FIXED ANGULAR ROTORS

Accessories selection guide

Angular rotor 6x50ml - 25°

Model	R
Max Capacity	6x 50mL
Angle	25°
RPM Max	9 500
ACR Max	10 292

Accessories



Ref.	AFI-RA6-50
------	------------

Tubes

Capacity (ml)	1,1-1,4	1,5-2	1,5-2	1,3	1,6-5	2,6-4	2,7-3	5-7	4,9	4,5-5	10
∅ x L (mm)	8x82	11x38	12,5x40	10x45	13x75	13x81 91	11x82	13x100	13x106	11x108	21x90
Tubes per adapter / rotor	3 18	3 18	3 18	3 18	1 6		3 18	1 6	1 6	1 6	1 6

Adapter	1,1-1,4	1,5-2	1,5-2	1,3	1,6-5	2,6-4	2,7-3	5-7	4,9	4,5-5	10
Hole ∅ x L (mm)	9x50	11,25x40	13x30	11x40	13,5x58	12,5x55	13,5x78	13,5x78	12,5x80	22x80	
Radius	102	85 99	76 90	72 87	81 95	81 95	97	97	97	97	
Ref.	AFI-50R1-2	AFI-50R2-2	AFI-50R2CRYO-2	AFI-50R1.3-2	AFI-50R5-2	AFI-50R5ST-2	AFI-50R7-2	AFI-50R7-2	AFI-50R6ST-2	AFI-50R10C-2	

Tubes

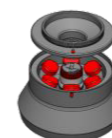
Capacity (ml)	4-8,5	7-10	10	15	30	30	30	50	50
∅ x L (mm)	15x91 108	16x100	16x85	17x120	25x110	25x110	25x95	29x115	29x107
Tubes per adapter / rotor	1 6		1 6	1 6	1 6	1 6	1 6	1 6	1 6

Adapter	4-8,5	7-10	10	15	30	30	30	50	50
Hole ∅ x L (mm)	17x78	17x70	18x80	26x60	26x60	26,5x70	30x70	30x70	30x70
Radius	102	97	87	101	97	100	102	102	102
Ref.	AFI-50R10-2	AFI-50R10-OAK-2	AFI-50R15C-2	AFI-50R30S-2	AFI-50R30C-2	AFI-50R30-OAK-2	-	AFI-50R50-OAK-	

Angular rotor 6x50ml - 25° - Sealed

Model	R
Max Capacity	6x 50mL
Angle	25°
RPM Max	12 000
ACR Max	16 421

Accessories



Ref.	AFI-RA6-50L
------	-------------

Tubes

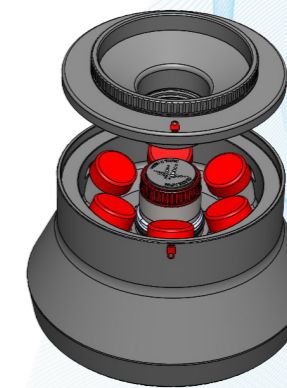
Capacity (ml)	1,1-1,4	1,5-2	1,5-2	1,3	1,6-5	2,6-4	2,7-3	5-7	4,9	4,5-5	10
∅ x L (mm)	8x82	11x38	12,5x40	10x45	13x75	13x81 91	11x82	13x100	13x106	11x108	21x90
Tubes per adapter / rotor	3 18	3 18	3 18	3 18	1 6		3 18	1 6	1 6	1 6	1 6

Adapter	1,1-1,4	1,5-2	1,5-2	1,3	1,6-5	2,6-4	2,7-3	5-7	4,9	4,5-5	10
Hole ∅ x L (mm)	9x50	11,25x40	13x30	11x40	13,5x58	12,5x55	13,5x78	13,5x78	12,5x80	22x80	
Radius	102	85 99	76 90	72 87	81 95	81 95	97	97	97	97	
Ref.	AFI-50R1-2	AFI-50R2-2	AFI-50R2CRYO-2	AFI-50R1.3-2	AFI-50R5-2	AFI-50R5ST-2	AFI-50R7-2	AFI-50R7-2	AFI-50R6ST-2	AFI-50R10C-2	

Tubes

Capacity (ml)	4-8,5	7-10	10	15	30	30	30	50	50
∅ x L (mm)	15x91 108	16x100	16x85	17x120	25x110	25x110	25x95	29x115	29x107
Tubes per adapter / rotor	1 6		1 6	1 6	1 6	1 6	1 6	1 6	1 6

Adapter	4-8,5	7-10	10	15	30	30	30	50	50
Hole ∅ x L (mm)	17x78	17x70	18x80	26x60	26x60	26,5x70	30x70	30x70	30x70
Radius	102	97	87	101	97	100	102	102	102
Ref.	AFI-50R10-2	AFI-50R10-OAK-2	AFI-50R15C-2	AFI-50R30S-2	AFI-50R30C-2	AFI-50R30-OAK-2	-	AFI-50R50-OAK-	



Visual LOCK for PERFECT lid closure

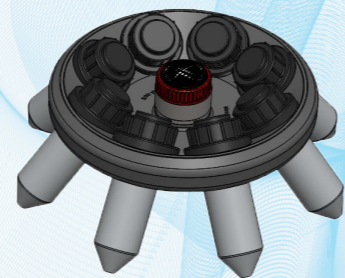


FIXED ANGULAR ROTORS

Accessories selection guide

Angular rotor 8x50ml - 40° - Sealed

Model	R
Max Capacity	8x 50mL
Angle	40°
RPM Max	5 600
ACR Max	4 944



Accessories

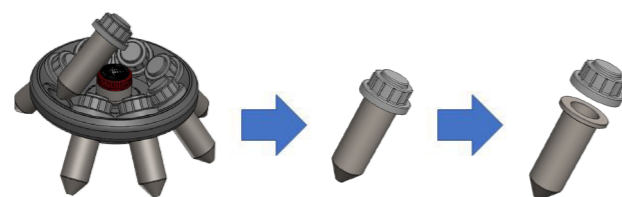


Ref.	AFI-FA8-50
------	------------

Tubes	1,1-1,4	1,5-2	1,5-2	1,3	1,6-5	2,6-4	2,7-3	5-7	4,9	4,5-5	10
Capacity (ml)	1,1-1,4	1,5-2	1,5-2	1,3	1,6-5	2,6-4	2,7-3	5-7	4,9	4,5-5	10
∅ x L (mm)	8x82	11x38	12,5x40	10x45	13x75	13x81 91	11x82	13x100	13x106	11x108	21x90
Tubes per adapter / rotor	3 24	3 24	3 24	3 24	1 8	3 24	1 8	1 8	1 8	1 8	1 8
Adapter											
Hole ∅ x L (mm)	9x50	11,25x40	13x30	11x40	13,5x58	12,5x55	13,5x78	13,5x78	12,5x80	22x80	
Radius	141	122 136	113 127	110 124	108 121	126	119 132	134	134	134	134
Ref.	AFI-50R1-2	AFI-50R2-2	AFI-50R2CRYO-2	AFI-50R1.3-2	AFI-50R5-2	AFI-50R5ST-2	AFI-50R7-2	AFI-50R7-2	AFI-50R6ST-2	AFI-50R10C-2	

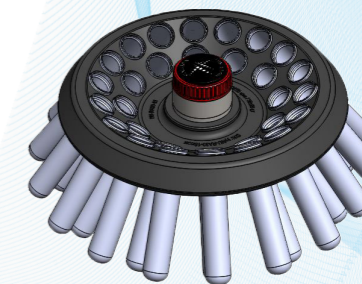
Tubes	4-8,5	7-10	10	15	30	30	30	50	50
Capacity (ml)	4-8,5	7-10	10	15	30	30	30	50	50
∅ x L (mm)	15x91 108	16x100	16x85	17x120	25x110	25x110	25x95	29x115	29x107
Tubes per adapter / rotor	1 8	1 8	1 8	1 8	1 8	1 8	1 8	1 8	1 8
Adapter									
Hole ∅ x L (mm)	17x78	17x70	18x80	26x60	26x60	26,5x70	30x70	30x70	30x70
Radius	141	134	124	136	138	134	137	141	140
Ref.	AFI-50R10-2	AFI-50R10-OAK-2	AFI-50R15C-2	AFI-50R30S-2	AFI-50R30C-2	AFI-50R30-OAK-	-	AFI-50R50-OAK-	

Ideal for your sensitive samples.
Sealed and individually removable adapters.
Guaranteed safety throughout your analysis protocol, before, during and after centrifugation



Angular rotor 30x15ml - 37°

Model	R
Max Capacity	30x 15mL
Angle	37°
RPM Max	4 700
ACR Max	3 482

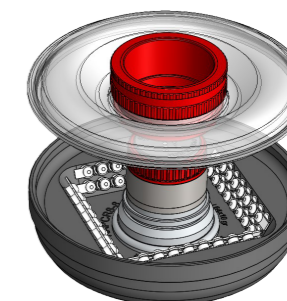


Tubes

Tubes	-	5	1,6-5	5-7	10	14	15
Capacity (ml)	-	5	1,6-5	5-7	10	14	15
∅ x L (mm)	-	12x75	13x75	13x100	16x100	17x100	17x120
Tubes per adapter / rotor	-	1 30	1 30	1 30	1 30	1 30	1 30
Accessories							
Hole ∅ x L (mm)	18x98	13x60	13x 58	13x78	17x78	17x78	18x98
Radius	122 141	96 115	96 115	108 127	110 129	118 136	118 136
Ref.	AFI-RA30-15	AFI-15R5G	AFI-15R5	AFI-15R6	AFI-15R10	AFI-15R10	AFI-15R15C

Angular rotor PCR8x8ml - 60° - Sealed

Model	R
Max Capacity	8x PCR
Angle	60°
RPM Max	15 000
ACR Max	16 099



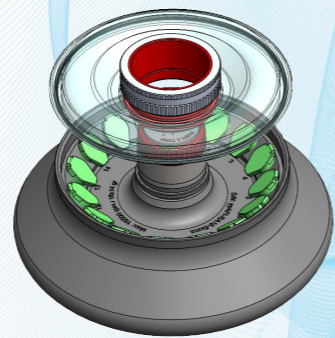
Tubes	8x0,2
Capacity (ml)	8x0,2
∅ x L (mm)	6x22
Tubes per adapter / rotor	8
Accessories	
Hole ∅ x L (mm)	6,2x16,5
Radius	60 64
Ref.	AFI-RAPCR8-8

FIXED ANGULAR ROTORS

Accessories selection guide

Angular rotor 16x5ml - 45° - Sealed

Model	R
Max Capacity	16x 5mL
Angle	45°
RPM Max	14 200
ACR Max	24 347

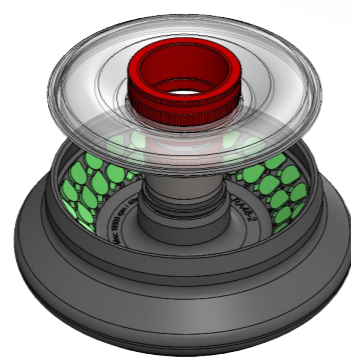


Tubes	SPIN-COLUMNS					
Capacity (ml)	5	0,2	0,25	0,5	2	2
∅ x L (mm)	16,5x60	6x18	8x30	11x38	11x38	11x38
Tubes per adapter / rotor	16	1 16	1 16	1 16	1 16	1 16
Accessories						
Hole ∅ X L(mm)	17x57		7x39	8,3x39	11,2x41	11,2x39
Radius	108	79	80	82	95	95
Ref.	AFI-RA16-5	AFI-5R02*	AFI-5R025*	AFI-5R05	AFI-5R2	AFI-5R2SC

* Set of 8

Angular rotor 48x2ml - 45° - Sealed

Model	R
Max Capacity	48x 2mL
Angle	45°
RPM Max	12 700
ACR Max	18 213



Tubes	SPIN COLUMN					
Capacity (ml)	1,5-2	2	0,2	0,25	0,5	1,5-2
∅ x L (mm)	11x38		6x18	8x30	11x38	11x38
Tubes per adapter / rotor	48		1 48	1 48	1 48	48
Accessories						
Hole ∅ X L(mm)	11,2x41		7x39	8,3x39	11,2x41	11,2x41
Radius	91 101		89 99	89 99	89 99	91 101
Ref.	AFI-RA48-2		AFI-2R02*	AFI-2R025*	AFI-2R05*	AFI-RA48-2 NUNC

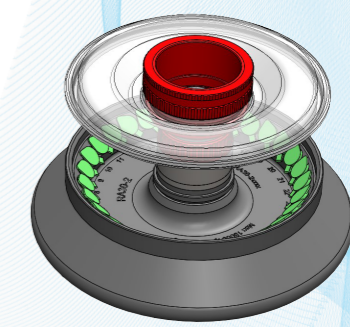
* Set of 6

Available for NUNC tubes



Angular rotor 30x2ml - 45° - Sealed

Model	R
Max Capacity	30x 2mL
Angle	45°
RPM Max	14 000
ACR Max	21 694

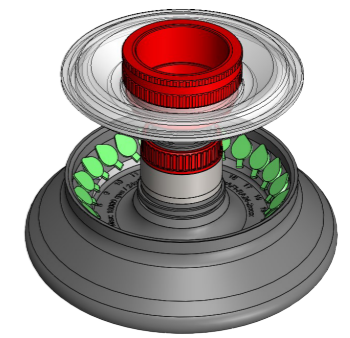


Tubes	SPIN COLUMN				
Capacity (ml)	1,5-2	2	0,2	0,25	0,5
∅ x L (mm)	11x38		6x18	8x30	8x30
Tubes per adapter / rotor	30		1 30	1 30	1 30
Accessories					
Hole ∅ X L(mm)	11,2x41		7x39	8,3x39	8,3x39
Radius	99		97	97	97
Ref.	AFI-RA30-2		AFI-2R02*	AFI-2R025*	AFI-2R05*

* Set of 6

Angular rotor 24x2ml - 45° - Sealed

Model	R
Max Capacity	24x 2mL
Angle	45°
RPM Max	18 000
ACR Max	31 514







Tubes	SPIN COLUMN				
Capacity (ml)	1,5-2	2	0,2	0,25	0,5
∅ x L (mm)	11x38		6x18	8x30	8x30
Tubes per adapter / rotor	24		1 48	1 48	1 48
Accessories					
Hole ∅ X L(mm)	11,2x41		7x39	8,3x39	8,3x39
Radius	87		85	85	85
Ref.	AFI-RA24-2		AFI-2R02*	AFI-2R025*	AFI-2R05*

* Set of 6



Spécifications - Specifications				
Modèle - Model	Réfrigéré -Refrigerated			
Centrifugeuse de paillasse Benchtop centrifuge				
Référence - Reference	AFI-C060R-E	AFI-C060R-E/IVD	AFI-C060R	AFI-C060R/IVD
Tension nominale - Nominal voltage (+/- 10%)	230 V		120 V	
Fréquence - Frequency	50 Hz		60 Hz	
Puissance alimentation max. - Power max.	1100 W (460 W compressor)		1100 W (460 W compressor)	
Conformité aux directives Européennes - Compliance with European directives				
(UE)2017/746: Dispositifs médicaux de diagnostic in vitro In vitro diagnostic medical devices		✓		✓
2014/35/UE : Directive Basse Tension – Low Voltage Directive		✓		✓
2014/30/UE : Directive CEM - EMC directive		✓		✓
2012/19/CE : Directive DEEE - WEEE directive		✓		✓
2011/65/CE : Directive ROHS - ROHS Directive		✓		✓
IEC / EN61010-1 (2010) : Sécurité - Safety		✓		✓
IEC / EN61010-2-020 (2006) : Sécurité - Safety		✓		✓
IEC / EN61010-2-101 (2015) : Sécurité - Safety		✓		✓
EN61326-1(2013) : Compatib. électromagn. - EMC compatibility		✓		✓
EN55011 2009/A1 (2010) Classe A : Perturbations / Emissions		✓		✓
EN ISO 14971 (2012) : Gestion des risques - Risk management		✓		✓
ISO 9001 (2015) : Gestion des risques - Risk management		✓		✓
ISO 13485 (2016) : Gestion des risques - Risk management		✓		✓
Caractéristiques principales (voir brochure) - Main specifications (see brochure for full specification)				
 Rotors Swing-out Swing-out rotors	Capacité max. Max. capacity		4 x 150 ml	
	RPM max.	Rotor AFI-RX150 Bucket AFI-BX150	4 700 rpm	
	ACR max Max. RCF		3 704 g	
 Rotors Microplaques Microplate rotors	Capacité max. Max. capacity		2x4 microplaques 2x4 microplates	
	RPM max.	Rotor AFI-RHDW-150 Bucket AFI-BHDW-150	4 700 rpm	
	ACR max Max. RCF		2 964 g	
 Rotors Angulaires Fixed angle rotors	Capacité max. Max. capacity	Rotor AFI-RA8-100	8 x 100 ml	
	RPM max.		18 000 rpm	
	ACR max Max. RCF	Rotor AFI-RA24-2	31 514 g	
Couvercle - Lid			✓	
Dimensions & poids - Dimensions & Weight				
Dimensions (HxLxD) - Foot print Dimensions (HxWxD)	29 x 44 x 72 cm			
Profondeur table – Table deep	65 cm			
Dimensions emballage (HxLxD) - Package dimension (HxWxD)	47 x 52 x 81 cm			
Hauteur couvercle ouvert - Opened lid height	72 cm			
Poids net - Weight unpacked	70 Kg			
Poids emballé - Weight packed	80 kg			

Description de la centrifugeuse / Centrifuge description		
Référence - Reference	AFI-C060R-E	AFI-C060R
Ecran LCD 4.7" 4.7" LCD screen		✓
Commandes Commands	Touches tactiles Tactile Buttons	
Contrôle par microprocesseur Microprocessor control		✓
Fixation de rotor sans outil Toolless rotor fixing		Système "ClickSpin®"
Reconnaissance automatique du rotor Automatic rotor recognition		✓
Détection de balourd Imbalance detection		Calibration ajustable (15g swing out et 3g rotors angulaires). Neutralisation automatique des vibrations liées à l'environnement. Tunable calibration (15g for swing out & 3g for angular rotors). Automatic neutralization of vibrations due to environment
Mode économie d'énergie Energy saving mode		Mode "Postcool" désactivable Desactivable "Postcool" mode
Fermeture du couvercle Lid closing		Fermeture manuelle & ouverture motorisée Manual closing & motorized opening
Durées de cycle Cycle duration		10 s à 99h:59min:59s & Impulsion 10 s to 99h:59min:59 s & Pulse
Unités de température Temperature units		°C / °F
Chambre de centrifugation Centrifugation chamber		Inox
Densité max. Max. density		1.2 g / cm ³
Moteur à induction sans charbon Brushless induction motor		✓
Vitesse mini / Maxi Mini / Max Speed		170 Rpm/ 18 000 Rpm – 5x g / 31 514 x g
Pas de réglage de la vitesse Speed setting step		10 rpm – 10x g
Précision de vitesse Speed accuracy		± 0.5%
Nombre de programmes Programs number		99+2
Fonction Pulse Pulse (short run)		✓
Pentes d'accélération & de freinage Acceleration & Braking slopes		10 & 10
Décélération libre Brakeless mode		✓
Système de réfrigération Cooling system		Sans CFC CFC free
Plage de réglage en température Range of setting temperature		-10°C → +40°C
Fonction de pré-refroidissement Precool function		✓
Précision en température Temperature accuracy		+/- 2°C
Dissipation de chaleur maximale Heat dissipation		3 753 BTU/h
Niveau sonore max. Max. noise		≤ 54 dB(A)



M A D E I N F R A N C E

AFI Groups

3 Rue Nicolas Copernic - 53200 Château Gontier - France

Tel. +33 2 43 06 15 19

<http://www.afigroups.com>

e-mail: contact@afigroups.com

*Scan me to discover
AFI catalogs*



* If necessary or useful without affecting the essential characteristics of a model, the technical and stylistic characteristics may be modified without prior notice from the manufacturer.